

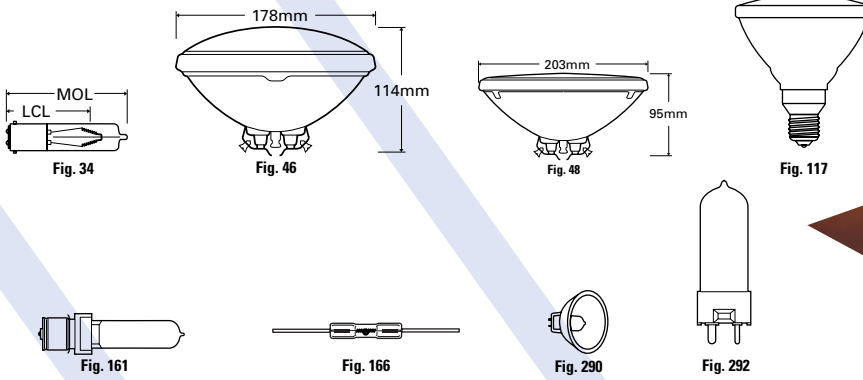
Airport Lighting

FEATURES

- Series design lamps used in runways and taxiways, which are rated by amps
- Substitution of "standard" lamps in series circuits can lead to unsatisfactory performance and FAA non-conformance
- Many parallel devices use "standard" lamps; beacons use Q PAR lamps (see Directional Section)

APPLICATIONS

- Airport Runway/Taxiway
- Airport Edgelights, Centerline, Touchdown Zone, Turn-Off
- Civil and Military Airports



Watts	Volts/Amps (A)	Order Code	Description	Case Qty.	Bulb	Base	Filament Type	LCL (in)	MOL (in)	MOL (mm)	Lumens	Color Temp.	CBCP	Life	Burn Position	Filament Dimension (in)	Additional Information	Footnotes	Figure Number
Airfield/Airport																			
30	6.6A	23294 6.6A/T10/1P	60 T10 P28s Med Pf	60	T10	P28s	Med Pf	C-2V	1.50	3.93	400		1000	BD		Clear		161	
		11478 EXL	24 T3.5 GZ9.5-2-Pin	24	T3.5	GZ9.5-2-Pin		C-8	1.00	1.75	375	2900		1000	HD	.05 x .13		64	292
		23522 EZA	20 MR16 GX5.3-2-Pin	20	MR16	GX5.3-2-Pin		C-8		1.75		2900	4500	1000	HD			64	290
32	6.6A	41783 EZA/4	20 MR16 Wire Term	20	MR16	Wire Term		C-8		1.75		2900		1000	HD				64
36	6.0A	35336 THE 436 6A 36W	10 MR11 Leads	10	MR11	Leads		CC-6											
40	120	15921 40T10P	60 T10 P28s Med Pf	60	T10	P28s	Med Pf	CC-2V	1.50	3.93	400			1000	BD		Clear		161
45	6.6A	23310 6.6A/PAR56/5	12 PAR56 Scrw Term	12	PAR56	Scrw Term		C-8		4.50	700			1000			Stippled cover		46
		23295 6.6A/T10P	60 T10 P28s Med Pf	60	T10	P28s	Med Pf	C-2V	1.50	3.93	675			1000	BD		Clear		161
		15937 45PAR38/6.6	12 PAR38 E26 Med Skirt	12	PAR38	E26 Med Skirt		C-6		5.31			1750	800			Flood		117
		76663 AF6/2 6.6A 45W	100 Prefocus Mycalex Cap	100		Prefocus Mycalex Cap		Flat Grid		54	760			600			Order 10076663		
		11482 EXM	24 T3.5 GZ9.5-2-Pin	24	T3.5	GZ9.5-2-Pin		C-8	1.00	1.75	750	2950		1000	HD	.06 x .19		64	292
		23071 EZC	20 MR16 GX5.3-2-Pin	20	MR16	GX5.3-2-Pin		C-8		1.75		2950		1000	HD			64	290
		23847 Q6 6A/T2 1/2/1CL	12 T2.5 Special	12	T2.5	Special		C-8		1.75	44	710		1000			Clear		152 166
		41541 Q45T4/CL	12 T4 GY16 2-Pin PreFoc	12	T4	GY16 2-Pin PreFoc		C-6	1.54	2.50	835			500	BD		Clear		151 162
		14473 Q45T4/CL/DCR	12 T4 D.C.Prefocus	12	T4	D.C.Prefocus		C-6	1.06	2.60	845	2850		500					34
65	6.6A	32917 Q65T2 1/2/1CL	200 T2.5 Special	200	T2.5	Special		C-8			1200			1000					166
100	6.6A	76664 AF6/5T 6.6A 100W	100 Prefocus Cap Mycalex	100		Prefocus Cap Mycalex		Flat Grid		60	2100			600			Order 12076664		
120	6	39395 120PAR	12 PAR64 Scrw Term	12	PAR64	Scrw Term		C-6		4.00	780		180000	3000			Transmissometer. VN spot	20	48
		6.6A 10099 EVV UNIT	24 T4 GZ9.5-2-Pin	24	T4	GZ9.5-2-Pin		C-6 Oval	1.54	2.50	3150	3200		500	BD	.25 x .12		64	292
150	6.6A	11427 EWR UNIT	24 T4 GZ9.5-2-Pin	24	T4	GZ9.5-2-Pin		C-6 Oval	1.54	2.50	4100	3200		500	BD	.25 x .16		64	292